

HVLP Sprayers

3A5085C

EN

For professional use only. For portable spray applications of fine finish coatings. Not approved for use in explosive atmospheres or hazardous locations.

HVLP 7.0/9.0 Standard

HVLP 7.0/9.0/9.5 ProContractor

HVLP 9.5 ProComp

See page 3 for additional model information

10 psi (0.07 MPa, 0.7 bar) Maximum Working Pressure

ProComp Models: 50 psi (0.35MPa, 3.5 bar) Maximum Fluid Working Pressure



Important Safety Instructions

Read all warnings and instructions in this manual and in related manuals. Be familiar with the controls and the proper usage of the equipment. Save these instructions.

Related Manuals:

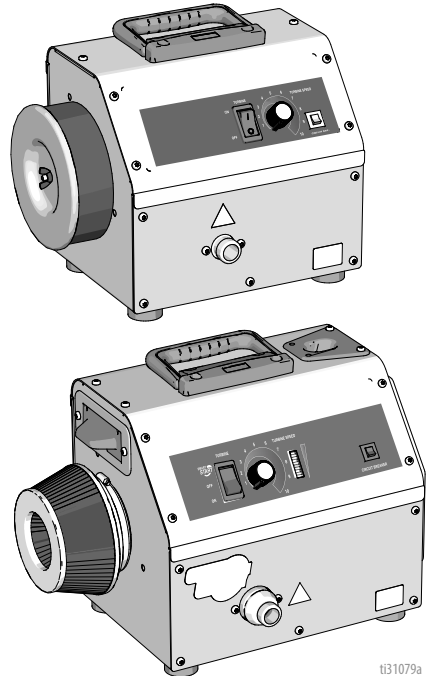
3A5097

Gun

WARNING

FIRE AND EXPLOSION HAZARD

- The turbine motor generates sparks. Keep sprayer at least 20 feet (6m) from spray area. Use additional hose if necessary.
- Spraying flammable or combustible materials in a factory or fixed location must comply with NFPA 33 and OSHA 1910.94(c) requirements in the USA and with all similar local regulations in other countries.



ti31079a

Table of Contents

Table of Contents

Models	3
Key Features	3
Warnings	4
Know Your Sprayer	7
Standard Models	7
ProContractor Models	8
ProComp Models	9
Pressure Relief Procedure	10
Setup	12
Fluid and Work Piece Preparation	13
Fluid Set Selection	13
Startup	14
Fill FlexLiner System	14
Fill Siphon Cup	15
Cup Over Installation	17
Fill Remote Cup (ProComp Models only)	18
Startup	20
How to Spray	22
Spray Techniques	22
Triggering Gun	22
Aiming Gun	23
Refilling FlexLiner	23
Refilling Siphon Cup	23
Refilling Remote Cup	23
Cleanup	24
Troubleshooting	31
Parts	34
Model 17P540	34
Parts List - Model 17P540	35
Parts - Standard Models	36
Model 17P545, 17T981	36
Parts List - Model 17P545, 17T981	37
Parts - ProContractor Models	38
Models 17P543, 17P546	38
Parts List - Models 17P543, 17P546	39
Parts	40
ProComp Models	40
Parts List - ProComp Models	41
Wiring Diagrams	42
Wiring Diagrams	43
Technical Specifications	44

Models

Key Features

TurboControl - Not available on all models	<ul style="list-style-type: none"> Allows user to adjust sprayer performance to match application needs. Use at lowest setting that provides desired finish. Reduces heat buildup and job site noise.
AutoStart - Not available on all models	<ul style="list-style-type: none"> Sprayer automatically turns off after no spraying activity; trigger gun to re-start sprayer. Reduces heat buildup and job site noise. Turn switch to ON if AutoStart is not desired.
FlexLiner System - Not available on all models	<ul style="list-style-type: none"> Allows user to spray gun at any angle without cup adjustment. Reduces cleaning time with no siphon tube and disposable liner. Quick change cup connection.

	Model	Part Number	TurboControl	AutoStart	FlexLiner System	Hose			Spray Gun		Fluid Sets	
						20-ft	30-ft	4-ft Whip	Edge II	Edge II Plus	#3	#4
CE 230VAC CEE 7/7	7.0 Standard	17P540			✓	✓		✓	✓		✓	
	7.0 Standard	17P545	✓			✓		✓			✓	
	7.0 Standard	17T981	✓		✓	✓		✓			✓	✓
	9.0 ProContractor	17P543	✓	✓	✓		✓	✓		✓	✓	✓
	9.0 ProContractor	17P546	✓	✓			✓	✓		✓	✓	✓

Warnings

Warnings

The following warnings are for the setup, use, grounding, maintenance, and repair of this equipment. The exclamation point symbol alerts you to a general warning and the hazard symbols refer to procedure-specific risks. When these symbols appear in the body of this manual or on warning labels, refer back to these Warnings. Product-specific hazard symbols and warnings not covered in this section may appear throughout the body of this manual where applicable.

WARNING

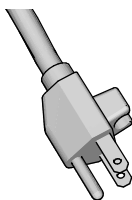


GROUNDING

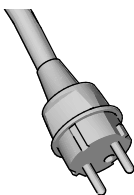
This product must be grounded. In the event of an electrical short circuit, grounding reduces the risk of electric shock by providing an escape wire for the electric current. This product is equipped with a cord having a grounding wire with an appropriate grounding plug. The plug must be plugged into an outlet that is properly installed and grounded in accordance with all local codes and ordinances.

- Improper installation of the grounding plug is able to result in a risk of electric shock.
- When repair or replacement of the cord or plug is required, do not connect the grounding wire to either flat blade terminal.
- The wire with insulation having an outer surface that is green with or without yellow stripes is the grounding wire.
- Check with a qualified electrician or serviceman when the grounding instructions are not completely understood, or when in doubt as to whether the product is properly grounded.
- Do not modify the plug provided; if it does not fit the outlet, have the proper outlet installed by a qualified electrician.
- This product is for use on a nominal 120V or 230V circuit and has a grounding plug similar to the plugs illustrated below.

120V US



230V



230V ANZ



ti24583b

- Only connect the product to an outlet having the same configuration as the plug.
- Do not use an adapter with this product.

Extension Cords:

- Use only a 3-wire extension cord that has a grounding plug and a grounding receptacle that accepts the plug on the product.
- Make sure your extension cord is not damaged. If an extension cord is necessary use 12 AWG (2.5mm²) minimum, 50 ft maximum length, to carry the current that the product draws.
- An undersized cord results in a drop in line voltage and loss of power and overheating.

WARNING



FIRE AND EXPLOSION HAZARD

Flammable fumes, such as solvent and paint fumes, in work area can ignite or explode. To help prevent fire and explosion:



- Do not spray flammable or combustible materials near an open flame or sources of ignition such as cigarettes, motors, electrical equipment, and plastic drop cloths (potential static sparking).



- Turbine motor generates sparks. Keep sprayer in a well ventilated area at least 20 feet (6 m) from the spray area when spraying, flushing, cleaning, or servicing. Do not spray pump assembly.



- Connect to a grounded outlet and use grounded extensions cords. Do not use a 3-to-2 adapter.
- Do not use a paint or a solvent containing halogenated hydrocarbons.
- Do not spray flammable or combustible liquids in a confined area.
- Keep spray area well-ventilated. Keep a good supply of fresh air moving through the area.
- Do not smoke in the spray area or spray where sparks or flame is present.
- Do not operate light switches, engines, or similar spark producing products in the spray area.
- Keep area clean and free of paint or solvent containers, rags, and other flammable materials.
- Know the contents of the paints and solvents being sprayed. Read all Safety Data Sheets (SDSs) and container labels provided with the paints and solvents. Follow the paint and solvents manufacturer's safety instructions.
- Keep a working fire extinguisher in the work area.



ELECTRIC SHOCK HAZARD

This equipment must be grounded. Improper grounding, setup, or usage of the system can cause electric shock.



- Turn off and disconnect power cord before servicing equipment.
- Connect only to grounded electrical outlets.
- Use only 3-wire extension cords.
- Ensure ground prongs are intact on power and extension cords.
- Do not expose to rain. Store indoors.



PRESSURIZED EQUIPMENT HAZARD

Fluid from the equipment, leaks, or ruptured components can splash in the eyes or on skin and cause serious injury.



- Follow the **Pressure Relief Procedure** when you stop spraying/dispensing and before cleaning, checking, or servicing equipment.
- Tighten all fluid connections before operating the equipment.
- Check hoses, tubes, and couplings daily. Replace worn or damaged parts immediately.



WARNING



EQUIPMENT MISUSE HAZARD

Misuse can cause death or serious injury.

- Always wear appropriate gloves, eye protection, and a respirator or mask when painting.
- Do not operate or spray near children. Keep children away from equipment at all times.
- Do not overreach or stand on an unstable support. Keep effective footing and balance at all times.
- Stay alert and watch what you are doing.
- Do not operate the unit when fatigued or under the influence of drugs or alcohol.
- Do not kink or over-bend the hose.
- Do not expose the hose to temperatures or to pressures in excess of those specified by the manufacturer.
- Do not use the hose as a strength member to pull or lift the equipment.
- Do not alter or modify equipment. Alterations or modifications may void agency approvals and create safety hazards.
- Make sure all equipment is rated and approved for the environment in which you are using it.



PRESSURIZED ALUMINUM PARTS HAZARD

Use of fluids that are incompatible with aluminum in pressurized equipment can cause serious chemical reaction and equipment rupture. Failure to follow this warning can result in death, serious injury, or property damage.

- Do not use 1,1,1-trichloroethane, methylene chloride, other halogenated hydrocarbon solvents or fluids containing such solvents.
- Do not use chlorine bleach.
- Many other fluids may contain chemicals that can react with aluminum. Contact your material supplier for compatibility.



TOXIC FLUID OR FUMES HAZARD

Toxic fluids or fumes can cause serious injury or death if splashed in the eyes or on skin, inhaled, or swallowed.

- Read SDSs to know the specific hazards of the fluids you are using.
- Store hazardous fluid in approved containers, and dispose of it according to applicable guidelines.



PERSONAL PROTECTIVE EQUIPMENT

Wear appropriate protective equipment when in the work area to help prevent serious injury, including eye injury, hearing loss, inhalation of toxic fumes, and burns. This protective equipment includes but is not limited to:

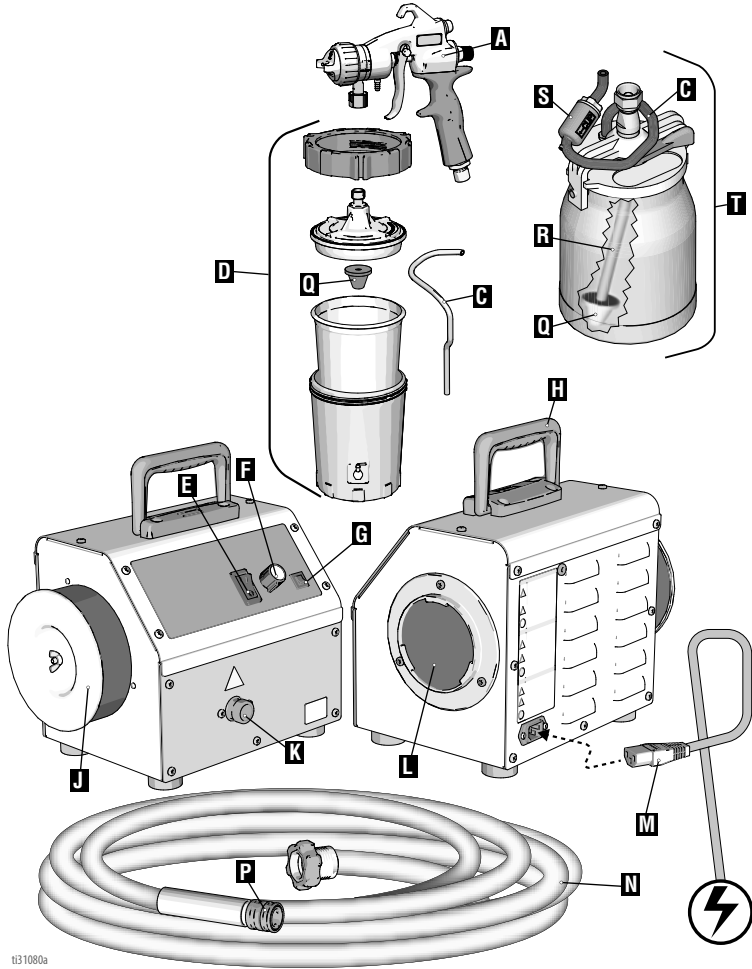
- Protective eyewear, and hearing protection.
- Respirators, protective clothing, and gloves as recommended by the fluid and solvent manufacturer.

CALIFORNIA PROPOSITION 65

This product contains a chemical known to the State of California to cause cancer, birth defects or other reproductive harm. Wash hands after handling.

Know Your Sprayer

Standard Models



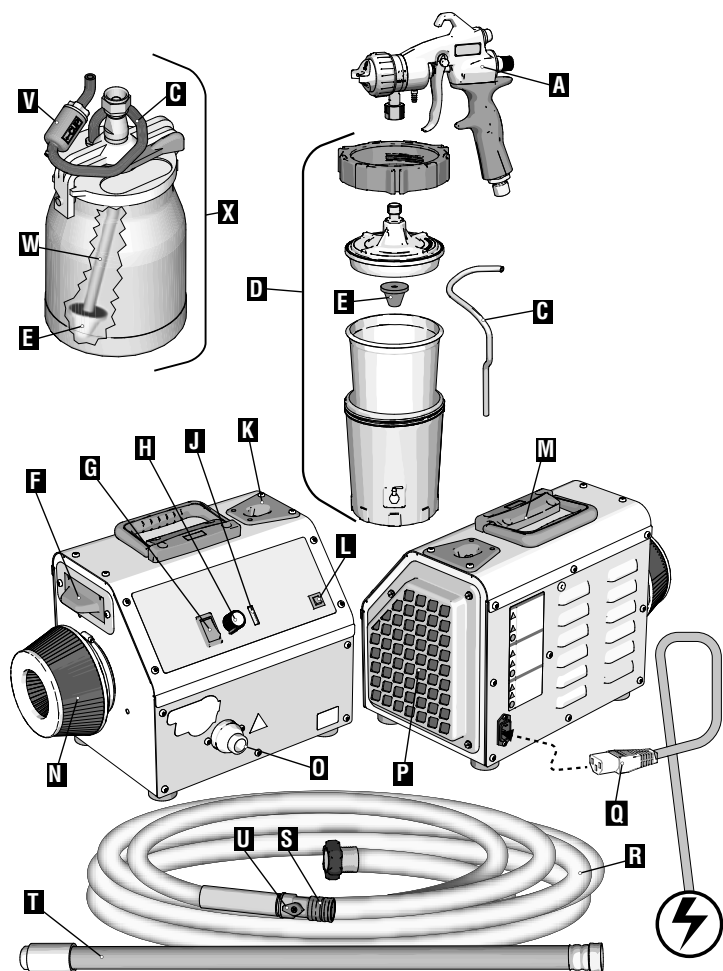
031080a

A	Edge II Spray Gun
C	Spray Gun Tubing
D	FlexLiner System (select models)
E	ON/OFF Switch
F	TurboControl (select models)
G	Resettable Circuit Breaker
H	Sprayer Handle
J	Turbine Air Filter
K	Air Outlet

L	Motor Air Filter
M	Power Cord
N	Sprayer Air Hose
P	Quick Connect
Q	Material Strainer
R	Swivel Tube
S	Quick Clean Check Valve
T	Siphon Cup Assembly (select models)

Know Your Sprayer

ProContractor Models

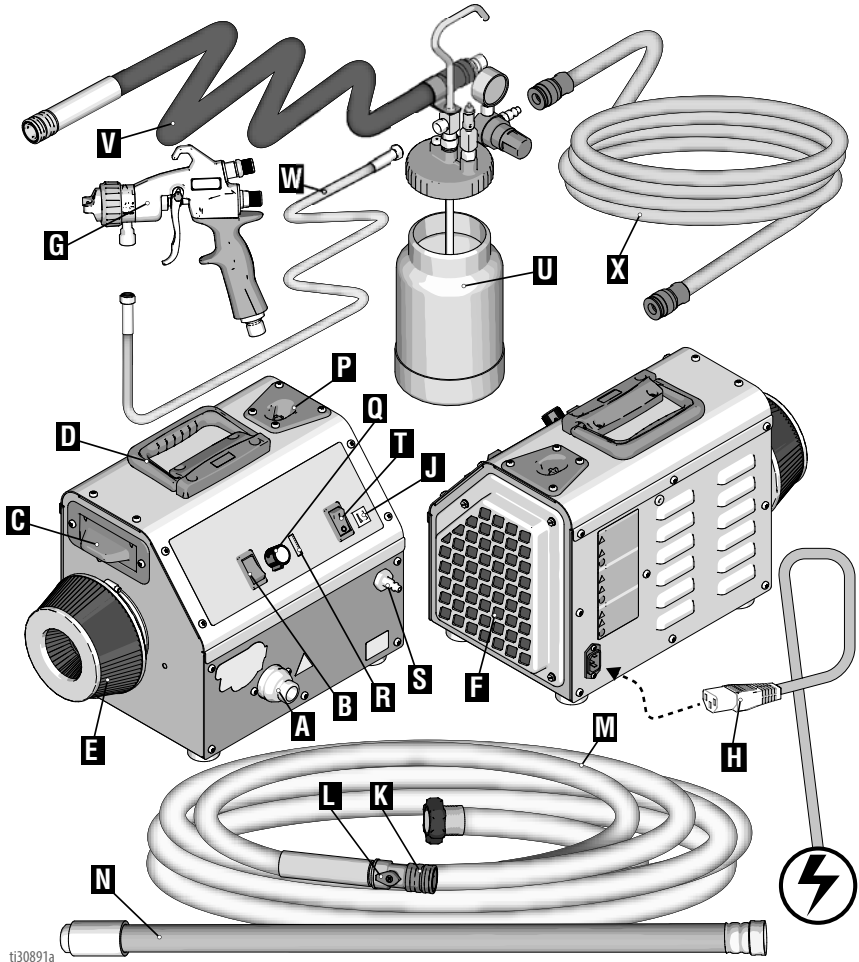


ti31081a

A	Edge II Plus Spray Gun
C	Spray Gun Tubing
D	FlexLiner System (select models)
E	Material Strainer
F	Fluid Set Storage
G	ON/OFF/AutoStart Switch
H	TurboControl
J	TurboControl LED Indicator
K	Spray Gun Holder
L	Resettable Circuit Breaker
M	Sprayer Handle

N	Turbine Air Filter
O	Air Outlet
P	Motor Air Filter
Q	Power Cord
R	Sprayer Air Hose
S	Quick Connect
T	Whip Hose (select models)
U	Air Valve
V	Quick Clean Check Valve
W	Swivel Tube
X	Siphon Cup Assembly (select models)

ProComp Models



ti30891a

A	Air Outlet
B	ON/OFF/AutoStart Switch
C	Fluid Set Storage
D	Sprayer Handle
E	Turbine Air Filter
F	Motor Air Filter
G	Edge II Plus Spray Gun
H	Power Cord
J	Resettable Circuit Breaker
K	Quick Connect
L	Air Valve

M	Sprayer Air Hose
N	Whip Hose
P	Spray Gun Holder
Q	TurboControl
R	TurboControl LED Indicator
S	Compressor Outlet
T	Compressor ON/OFF Switch
U	Remote Cup, 2-qt
V	Gun Air Hose, 5-ft
W	Remote Cup Fluid Hose, 5-ft
X	Remote Cup Air Hose, clear

Pressure Relief Procedure

Pressure Relief Procedure



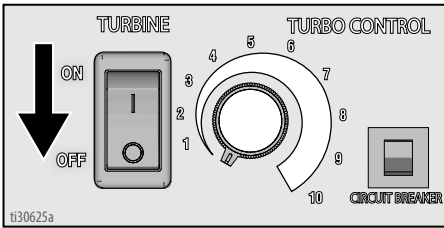
Follow the Pressure Relief Procedure whenever you see this symbol.



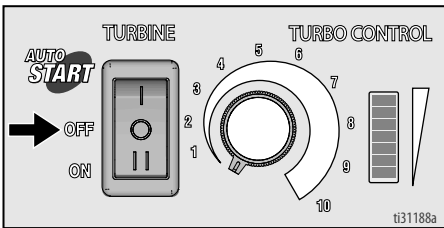
The spray gun cup is pressurized. To reduce the risk of splashing from pressurized fluid, always follow the **Pressure Relief Procedure** before removing cup.

1. Turn the ON/OFF switch to **OFF** position.

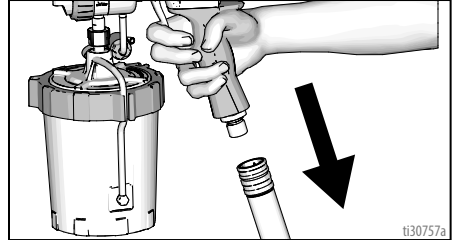
Standard Models:



ProContractor and ProComp Models:

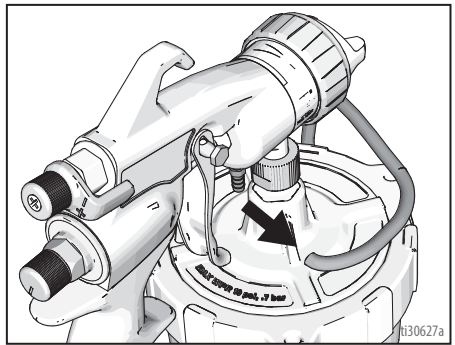


2. Unplug power cord to disconnect power.
3. Disconnect spray gun from air hose.



If using a FlexLiner System:

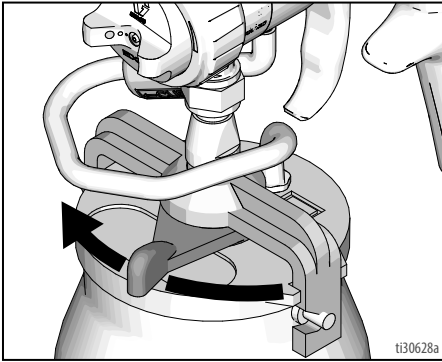
4. Disconnect tubing from gun to relieve pressure in the cup.



Pressure Relief Procedure

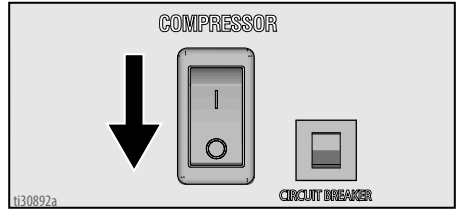
If using a metal siphon cup:

5. Unlatch cup cover, loosen or remove cup from cover to relieve pressure.

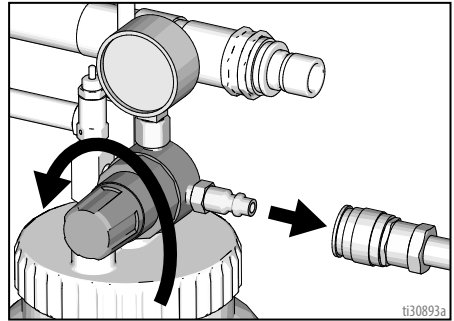


If using a ProComp remote cup:

6. Turn compressor ON/OFF switch to OFF position.



7. Disconnect air hose from remote cup. Turn out pressure regulator one turn. Wait until pressure is completely relieved before removing cover.

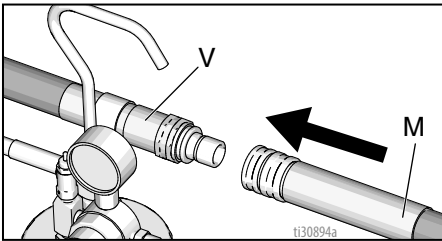


Setup

When unpacking sprayer for the first time or after long term storage, perform setup procedure.

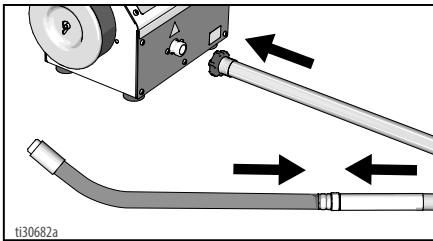
1. Connect air hose to sprayer. Hand tighten.
2. If using a ProComp Model with remote cup:

Connect gun air hose (V) to end of sprayer air hose (M).



NOTICE

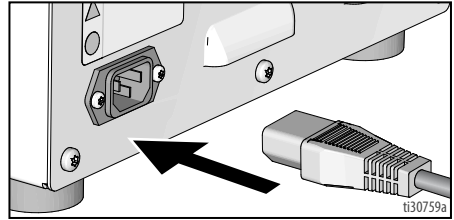
For units with a whip hose, do not connect whip hose directly to sprayer. Connect whip hose to gun end.



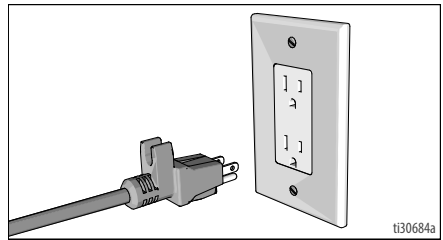
NOTICE

The AutoStart feature on ProContractor and ProComp models relies on an air tight system. Use components provided with sprayer and Edge II Plus gun. Ensure all hose connections are secure to avoid air leakage.

3. Connect power cord to sprayer power connection.



4. Plug sprayer power cord into grounded outlet.



Fluid and Work Piece Preparation

- Strain fluids before spraying. This includes colors, reducers and hardeners.
- Use a slower drying reducer or thinner to compensate for the faster drying time caused by the warm air of the turbine. Do not over reduce.
- Sprayer performance varies with the viscosity of the material sprayed and the length of the hose. To prevent pressure drop, use hose supplied with sprayer.
- Most material manufacturers provide recommendations for their materials. Follow these recommendations.
- For proper adhesion, ensure surface of work piece is completely clean.⁶

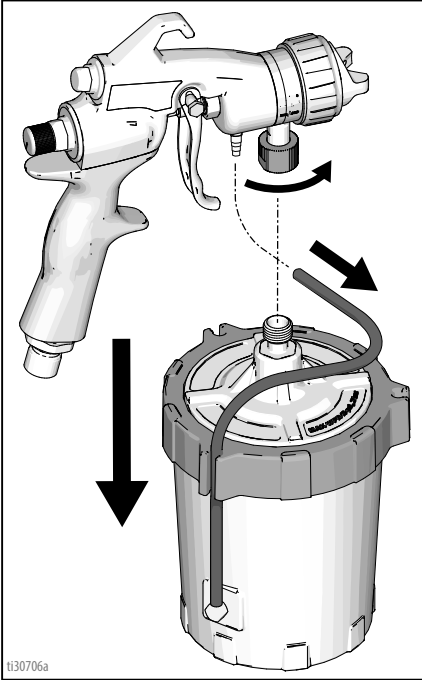
Fluid Set Selection

For best spray performance, select proper fluid set for fluid being sprayed. Reference **Fluid Set Selection Guide** in HVLP Edge II gun manual provided with sprayer. Fluid Set numbers are marked on fluid needles and nozzles.

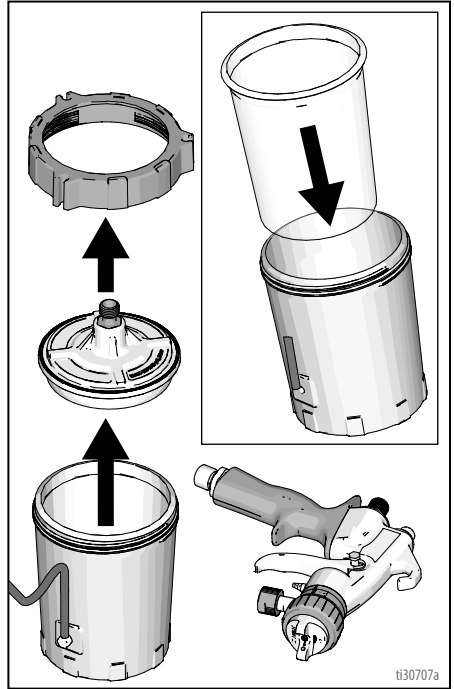
Startup

Fill FlexLiner System

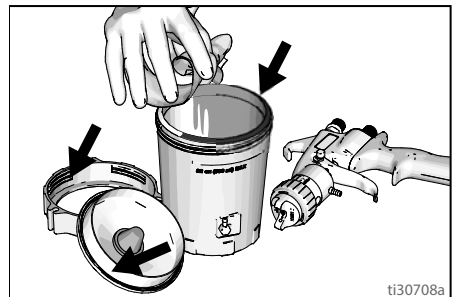
1. Disconnect gun from FlexLiner System.



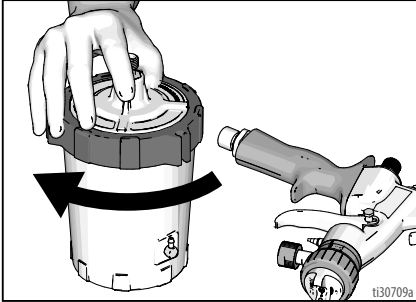
2. Loosen ring from cup. Remove cover and ring from cup. Verify FlexLiner remains in cup upon removal of cover and ring.



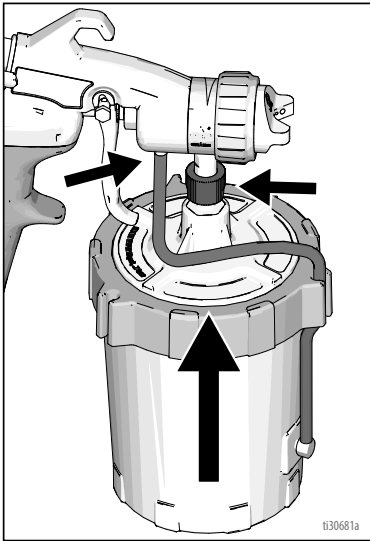
3. Fill FlexLiner with material to "MAX FILL" line. Clean threads and sealing surfaces of FlexLiner System.



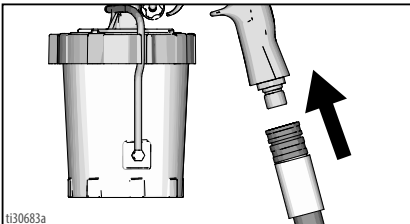
4. Install cover and ring onto cup. Tighten ring securely.



5. Connect FlexLiner System to gun.



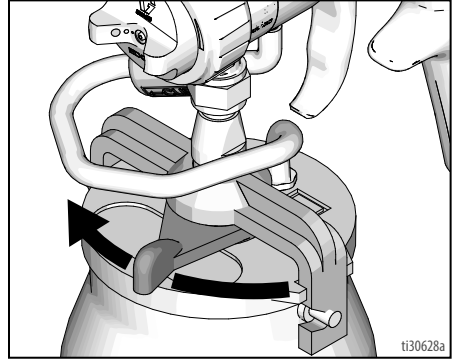
6. Connect air hose to inlet fitting of gun.



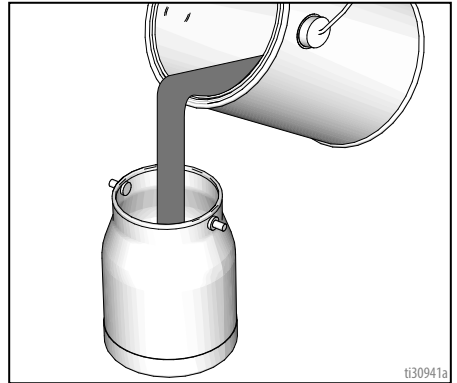
7. You are now ready to spray. Reference **Startup**, page 20, and HVLV Edge II gun manual, provided with sprayer, for spraying instructions.

Fill Siphon Cup

1. Unlatch cup cover and remove from siphon cup.



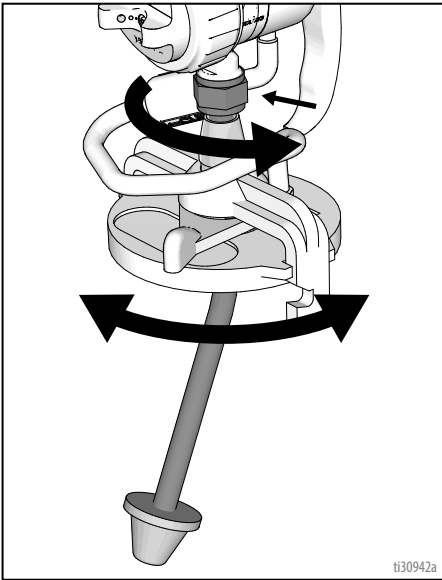
2. Fill siphon cup with material.



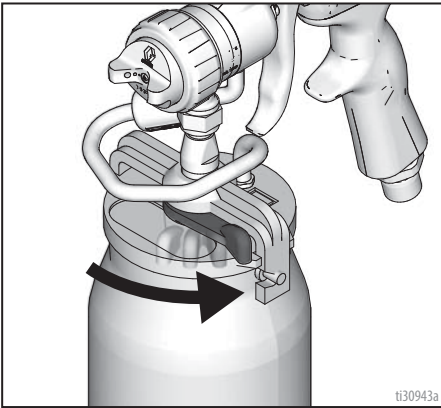
3. Verify siphon tube is positioned in ideal location for desired spray orientation. If adjustment is necessary:
 - a. Loosen nut, rotate cup cover to attain desired siphon tube position.

Startup

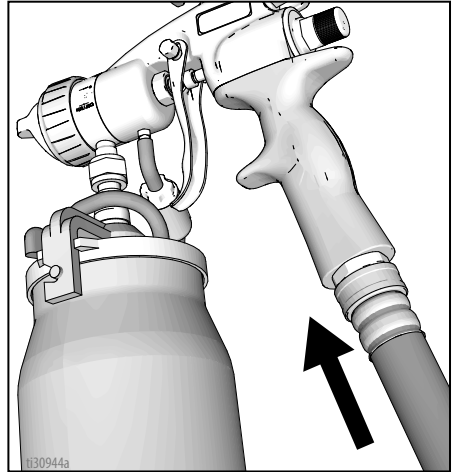
- b. Tighten nut.



4. Latch cup cover to siphon cup.



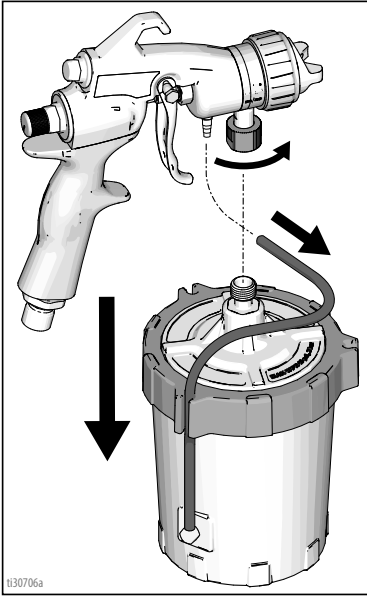
5. Connect sprayer air hose to air inlet of gun.



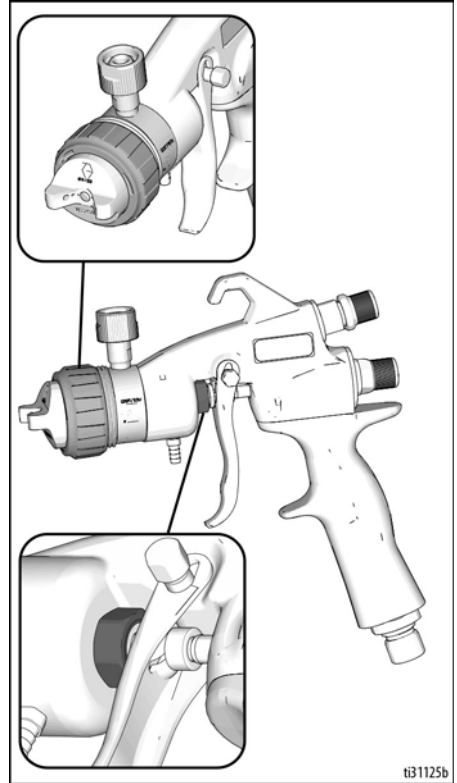
6. You are now ready to spray. Reference **How to Spray**, page 22.

Cup Over Installation

1. Perform **Pressure Relief Procedure**, page 10.
2. Disconnect gun from FlexLiner system.

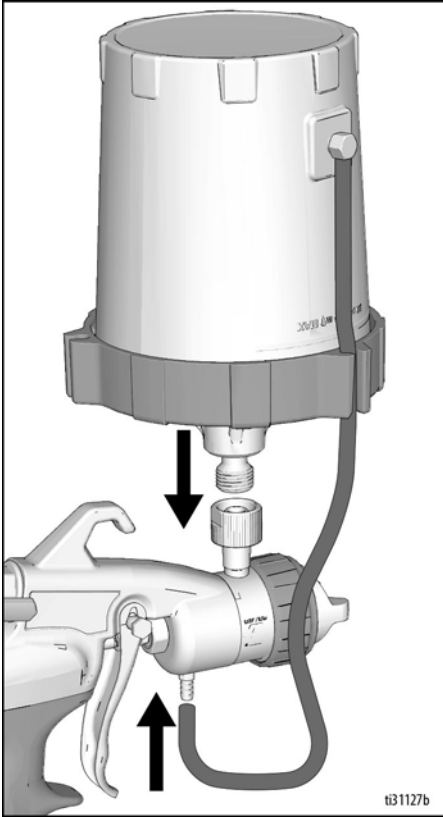


3. Loosen nut on backside of gun. Do not remove nut. Pull nozzle housing assembly out just far enough to allow rotation. Rotate nozzle housing assembly 180° so it faces upward.



Startup

4. Press nozzle housing assembly in, making sure the hole and pin are aligned and housing can no longer rotate.
5. Torque nut to 140-150 in-lb (15.8-16.9 N•m).
6. Reconnect Flexliner system.

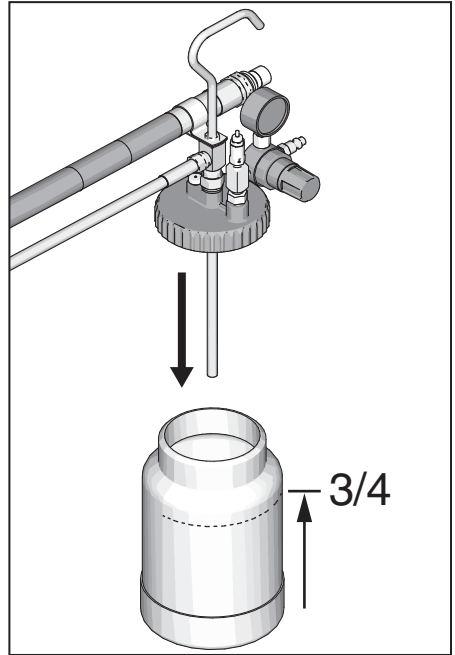


Fill Remote Cup (ProComp Models only)

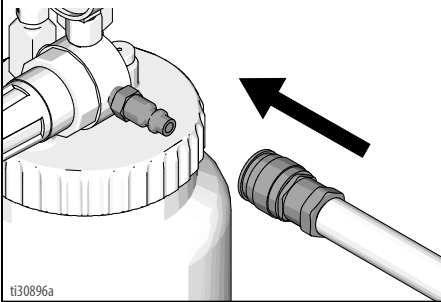
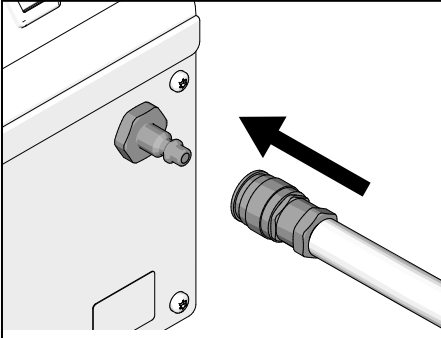
1. Fill remote cup 3/4 full and install cover.

NOTICE

Only hand-tighten remote cup cover. Excessive tightening may damage cover gasket.

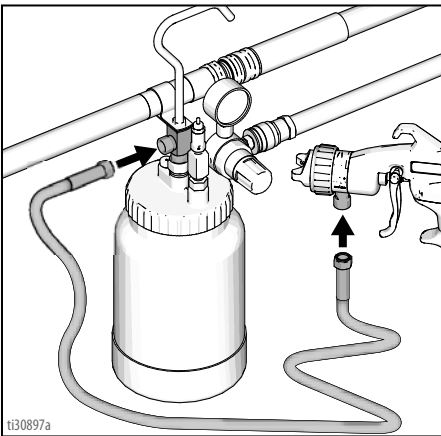


2. Connect clear air hose to compressor outlet and remote cup air inlet.

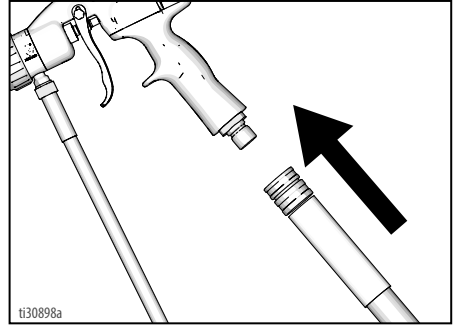


3. Connect 5 ft (1.5 m) fluid hose to remote cup fluid outlet and gun fluid inlet.

NOTE: Gun must be setup for use with remote cup.



4. Connect air hose (V) to inlet fitting of gun.



NOTICE

If remote cup is accidentally tipped over or held at too great of an angle, fluid may leak into air regulator and cause damage. Take precautions to avoid this. If fluid gets into regulator, clean immediately.

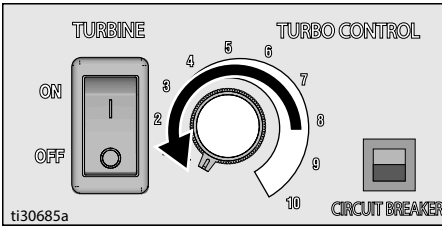
5. You are now ready to spray. Reference **Startup**, page 14, and HVLP Edge II gun manual, provided with sprayer, for spraying instructions.

Startup

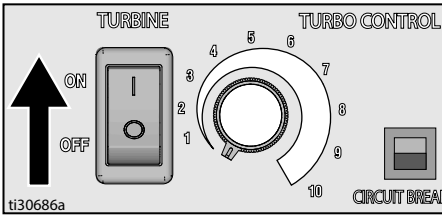
Startup

TurboControl allows for performance adjustment of the sprayer. To reduce over-spray, always start at lowest setting and increase to the minimum setting required to provide the desired finish.

1. Turn TurboControl to lowest setting.

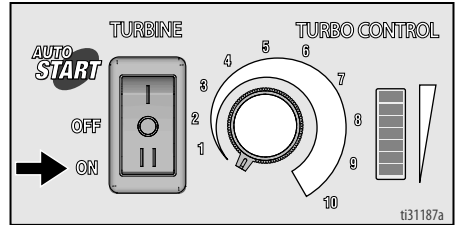


2. Turn ON/OFF switch to ON position.

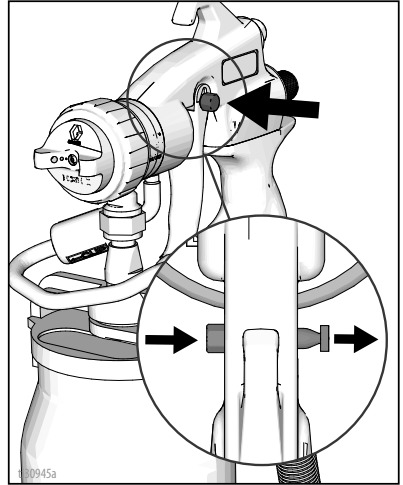


NOTE: ProContractor and ProComp models in AutoStart setting will automatically turn off when not actively spraying. Sprayer will start upon re-triggering of HVLP Edge II Plus gun. Turn switch to ON position if AutoStart is not desired. In ON mode, unit will still shutdown after 3 minutes of non-use. Sprayer will start upon re-triggering of gun.

NOTE: For AutoStart to function, use components provided with sprayer and Edge II Plus gun. For replacement parts, see pages 38-41.



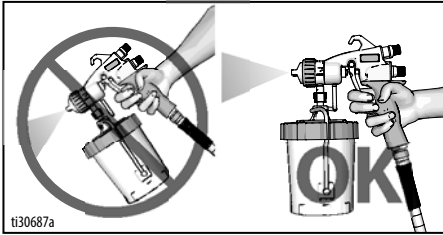
3. Verify trigger slide is in SPRAY position (A).



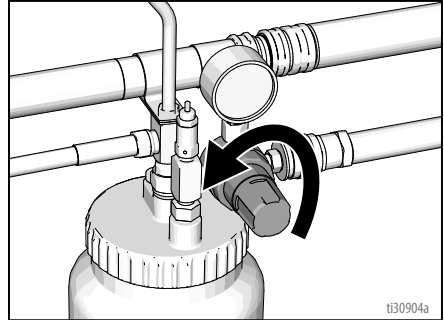
If using FlexLiner System:

- Point gun into a waste area. Evacuate air from FlexLiner System by holding gun vertically and pull trigger open until a continuous spray pattern is observed.

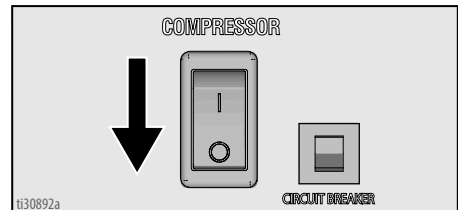
NOTE: Tilt gun back and forth to help in evacuation of air.

**If using remote cup with ProComp Model:**

- Turn pressure regulator to lowest setting.



- Turn compressor ON/OFF switch to ON position.



NOTE: If experiencing low remote cup pressure, disconnect clear air hose from compressor outlet (see step 2, page 15) and allow compressor to run for 10 seconds. Reconnect air hose.

How to Spray

How to Spray



The turbine motor generates sparks. These sparks can ignite flammable fumes.

- Keep sprayer in a well ventilated area.
- Keep sprayer at least 20 feet (6m) from spray area. Use additional hose if necessary.

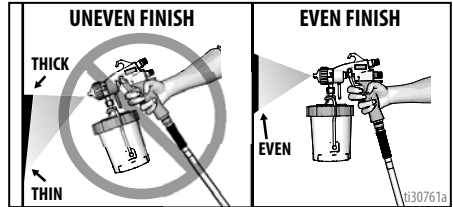
Take a few moments prior to spraying and review these simple tips to ensure your spraying project is a success.

Spray Techniques

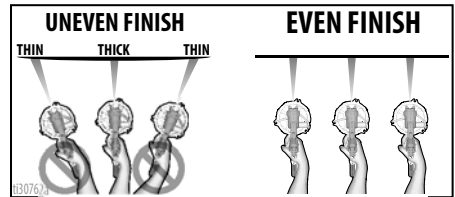
Use a piece of scrap cardboard to practice spraying techniques before spraying the work piece.

- For Standard and ProContractor models, use TurboControl to adjust pressure.
- For ProComp models using the remote cup, use TurboControl and pressure regulator on remote cup to adjust pressure.
- Always spray with the least amount of pressure required to provide the desired spray pattern and rate of application. Spraying at pressures higher than necessary wastes material and can result in an orange peel finish.
- To adjust spray gun pattern, see HVLP Edge II gun manual provided with sprayer.

- Aim gun straight at surface. Tilting gun to direct spray angle causes an uneven finish

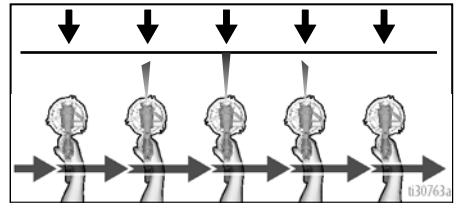


- Flex wrist to keep gun pointed straight. Fanning gun to direct spray at angle causes uneven finish.



Triggering Gun

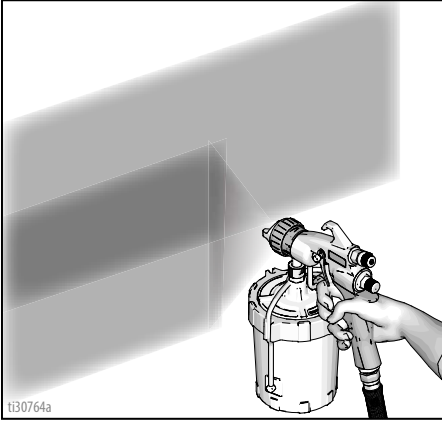
Pull trigger after starting stroke. Release trigger before end of strike. Gun must be moving when trigger is pulled and released.



NOTE: To prevent uneven spray pattern, start and end stroke off of work piece surface.

Aiming Gun

Aim center of spray gun at bottom edge of previous stroke, overlapping each stroke by half.



If sprayer does not spray, reference **Troubleshooting**, page 31.

Refilling FlexLiner

1. Perform **Pressure Relief Procedure**, page 10.
2. Reference **Fill FlexLiner System**, page 14.

Refilling Siphon Cup

1. Perform **Pressure Relief Procedure**, page 10.
2. Reference **Fill Siphon Cup**, page 15.

Refilling Remote Cup

1. Perform **Pressure Relief Procedure**, page 10.
2. Reference **Fill Remote Cup (ProComp Models only)**, page 18.

Cleanup

Cleaning your sprayer and gun after every job is important. Proper care and maintenance results in optimal sprayer performance.

Cleaning Filters



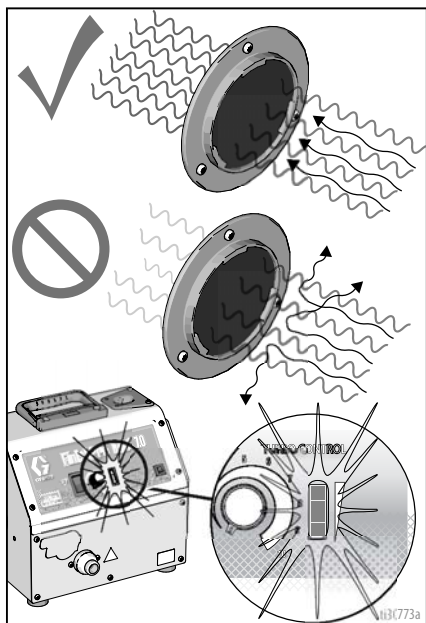
Cleaning the filters with flammable solvents may cause the equipment to ignite or explode. Do not use flammable solvents, such as lacquer thinner, to clean the filters.

The sprayer air filters must be clean at all times to provide sufficient air flow to cool the motor and atomize the fluid.

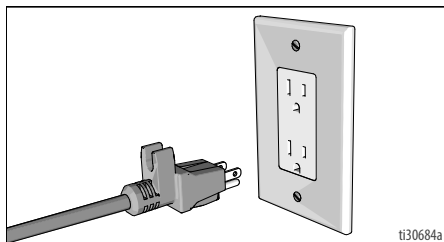
NOTICE

Damage to sprayer can occur if air filters are not cleaned properly.

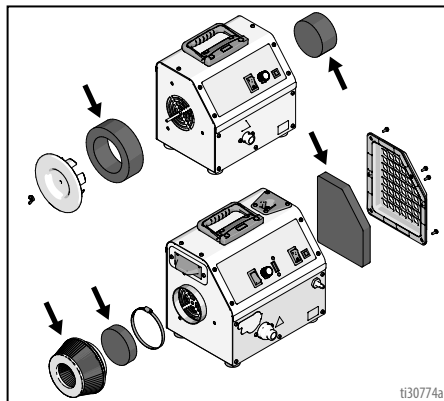
NOTE: ProContractor and ProComp models have a TurboControl LED indicator. Indicator will blink repeatedly to indicate clogged filter.



1. Perform **Pressure Relief Procedure**, page 10.
2. Unplug power cord from power outlet.



3. Remove turbine and motor air filters.



4. Clean air filters and replace as necessary:
 - Tap filter gently on flat surface, dirty side down.
 - Direct compressed air 30 psi (2 bar, 0.2 MPa) through filter from the clean side to the dirty side.

NOTICE

Damage to filter can occur if more than 100 psi (7 bar, 0.7 MPa) is applied.

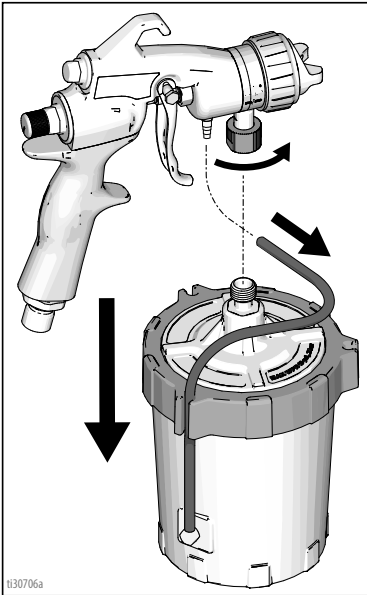
- Soak filter for 15 minutes in water and mild detergent. Rinse filter until clean. Air dry.

Cleaning FlexLiner System

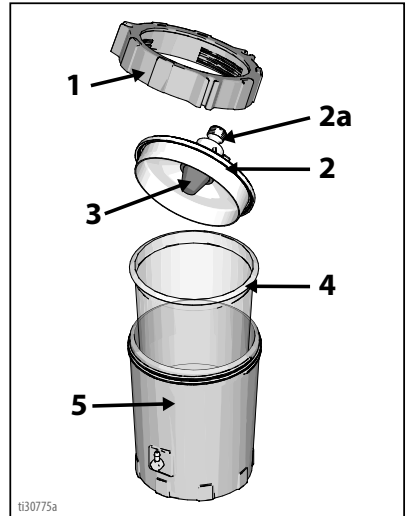
NOTICE

Solvents, such as lacquer thinner, can damage parts of the FlexLiner System. Do NOT immerse parts of the FlexLiner System in solvent.

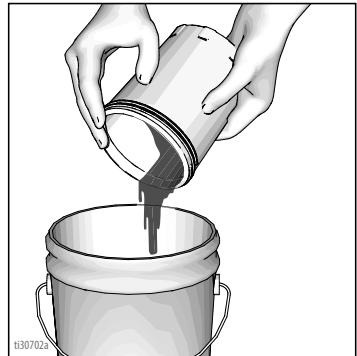
1. Perform **Pressure Relief Procedure**, page 10.
2. Disconnect gun from FlexLiner system.



3. Loosen ring (1) from cup (5). Remove ring (1) and cover (2) from cup. Verify FlexLiner remains in cup upon removal of cover and ring.



4. Return excess fluid to original container. Hold the FlexLiner (4) in place when pouring.



Cleanup

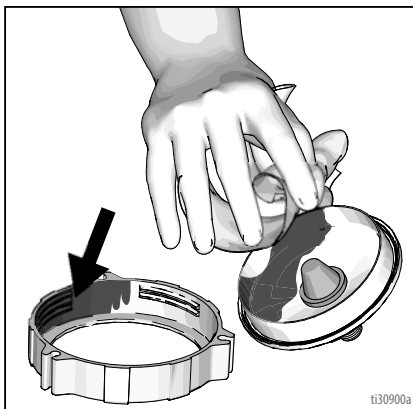
5. It is recommended to dispose of the used FlexLiner (4) and install a new one. If reusing, clean by wiping all excess fluid from FlexLiner (4).



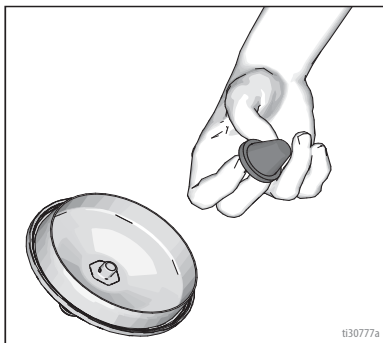
NOTICE

Dispose of FlexLiner, cleaning materials, and unused fluid according to local regulations. Refer to Safety Data Sheet (SDS) of fluids used.

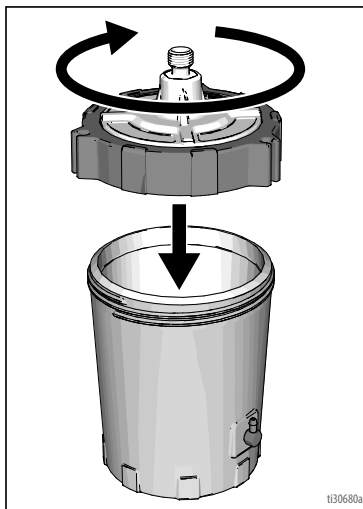
6. Wipe excess fluid from cover (2) and ring (1) of FlexLiner System.



7. Fill the FlexLiner (4) approximately half-full with cleaning fluid (warm water or appropriate solvent).
8. Remove and clean material strainer (3) by flushing with cleaning fluid. Re-install material strainer (3).



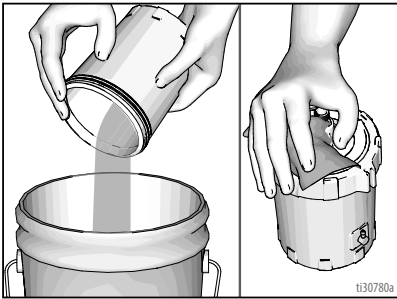
9. Install cover (2) and ring (1) onto cup (5).



10. Cover cup fitting (2a) with a rag, shake the entire FlexLiner System for a minimum of ten seconds.



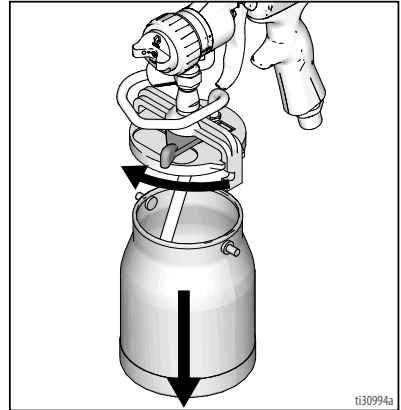
11. Wipe clean and dry all components of FlexLiner System. Properly dispose of cleaning fluid.



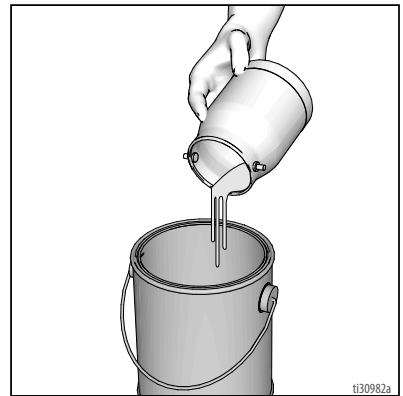
Cleaning Siphon Cup

1. Perform **Pressure Relief Procedure**, page 10.

2. Disconnect gun from siphon cup.



3. Unlatch and remove cup cover from siphon cup. Return excess fluid to original container.

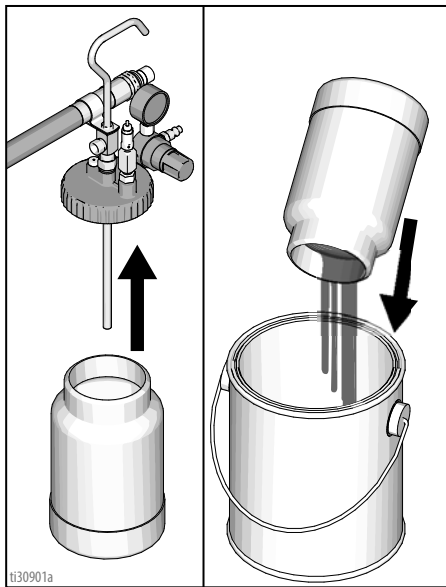


4. Wipe excess fluid from cup, cover and siphon tube.
5. Fill cup quarter-full with cleaning fluid (warm water or appropriate solvent).
6. Latch cover to cup.
7. Cover cup fitting with a rag. Shake cup assembly for a minimum of ten seconds.
8. Wipe clean and dry all components of siphon cup assembly. Properly dispose of cleaning fluid.

Cleanup

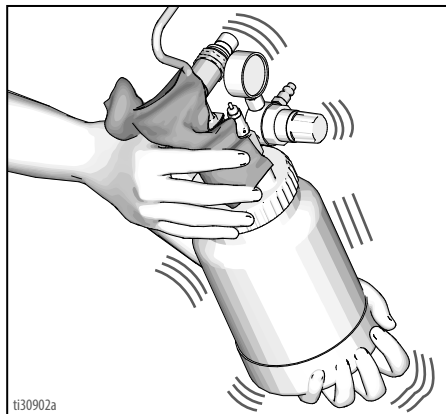
Cleaning ProComp Remote Cup

1. Perform **Pressure Relief Procedure**, page 10.
2. Remove cover from remote cup and return excess fluid to original container.



3. Wipe excess fluid from remote cup and cover.
4. Fill remote cup quarter-full with cleaning fluid (warm water or appropriate solvent).
5. Install cover.

6. Cover cup fitting with rag, shake remote cup assembly for a minimum of ten seconds.



7. Wipe clean and dry all components of remote cup. Properly dispose of cleaning fluid.

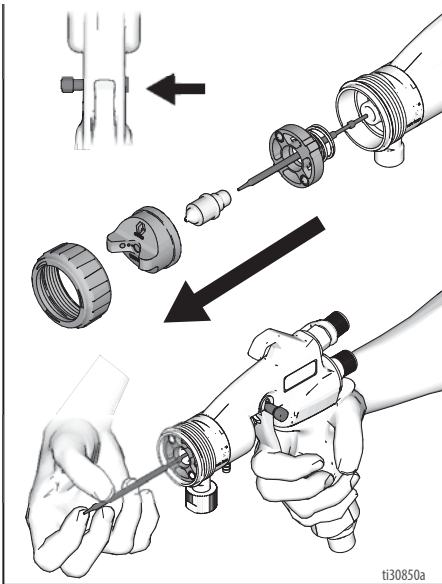
Cleaning HVLP Edge II Gun

NOTICE

Solvents, such as lacquer thinner, can damage parts of the HVLP Edge II gun. Do NOT immerse parts of the HVLP Edge II gun in solvent.

1. Remove retaining ring and air cap.
2. Trigger the gun and remove fluid nozzle from gun.

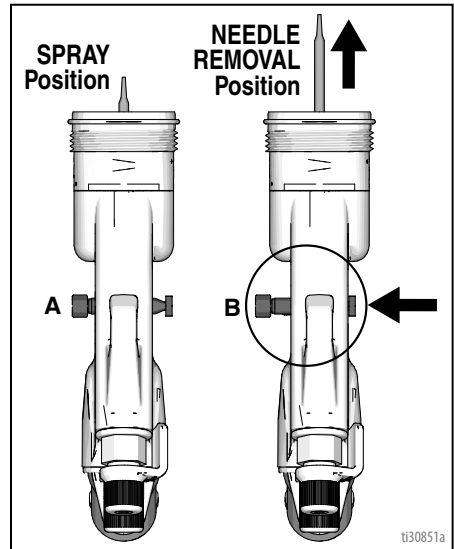
NOTE: Edge II Plus guns contain air cap guide and spring held in place by fluid nozzle. Upon removal of fluid nozzle, set aside air cap guide and spring.



NOTICE

Trigger the gun whenever removing or installing the fluid nozzle. This prevents the fluid nozzle and needle seating surfaces from being damaged.

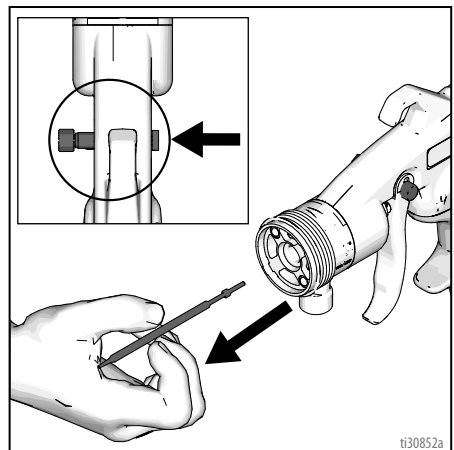
3. Move trigger slide from SPRAY position (A) to NEEDLE REMOVAL position (B).



4. Remove needle from front of gun.

NOTICE

Do not use a pliers to remove needle. Damage to the needle tip will cause leaking at the fluid nozzle.



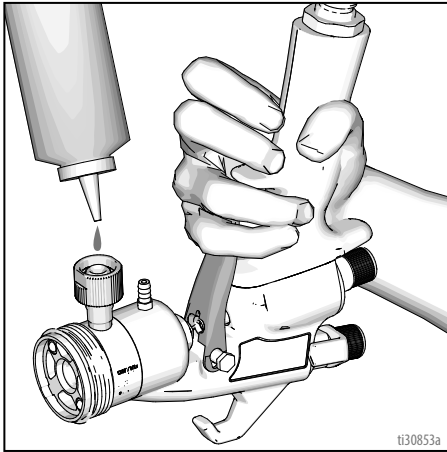
Cleanup

5. Wipe or flush fluid from nozzle and needle. If necessary, clean retaining ring, air cap, air cap guide, and spring.

NOTICE

Do not use metal tools to clean the fluid nozzle or air cap holes as this may scratch them, causing fluid leaks and a distorted spray pattern.

6. Using a squeeze bottle, flush cleaning fluid through the gun. Hold the gun upside down, pull the trigger, and dispense cleaning fluid into the cup connection.



7. Re-install needle and move trigger slide from NEEDLE REMOVAL position (B) to SPRAY position (A).
8. Trigger the gun and install spring, air cap guide, and fluid nozzle. Install air cap and retaining ring.

Troubleshooting



1. Follow **ProComp Models**, page 9, before checking or repairing.
2. Check all possible problems and causes before disassembling the unit.

Problem	Cause	What to Do
Sprayer not starting	No Power	Check electrical outlet for power. Cycle ON/OFF switch.
		Check that correct power cord is used and plugged in.
		Check circuit breaker. Push to reset.
	Sprayer automatically shut-off while in AutoStart setting (ProContractor and ProComp models only)	Verify air valve prior to gun is open. Trigger gun.
No fluid delivery	No material	Check cup for material. See Startup , page 14.
	No cup pressurization	Check for leaks in the FlexLiner System. See "FlexLiner System" section, page 33.
		ProComp:
		Check for air leaks from the remote cup cover and gasket. Tighten cover if loose. Clean or replace gasket as necessary.
		Check for air flow from male quick-disconnect at ProComp outlet.
		Turn pressure regulator on remote cup clockwise. Look for pressure on gauge. If no pressure, check air line fittings.
		Check hole in remote cup cover at needle valve for blockage or dirt. Clean if necessary.
	Gun tubing clogged	Check for obstructions in gun tubing. Clean or replace gun tubing if necessary.
	Fluid inlet clogged	FlexLiner System: Check for obstructions in material strainer and inlet fitting.
		ProComp:
Check if fluid pickup tube in remote cup is loose. Tighten.		
	Blow out and clear material hose.	
Trigger pin in UNLOCK position	Check trigger pin location. Must be in SPRAY position.	

Troubleshooting






Problem	Cause	What to Do
Poor atomization	Dirty gun	Clean gun. See Cleaning HVLP Edge II Gun , page 29.
	Dirty air filters	Clean turbine and motor air filters. Replace as necessary. See Cleaning Filters , page 24.
	Extension cord too long	Extension cord must be a 3-wire, 12 AWG (2.5mm ²) minimum, 50 ft (15 m) maximum length.
	Air hose too long	Replace with shorter hose, no shorter than 20 ft (6,1 m)
	Leaking air hose connections	Disconnect and securely connect all hose connections.
Circuit breaker trips	Dirty air filters	Clean turbine and motor air filters. Replace as necessary. See Cleaning Filters , page 24.
	Incorrect power supply voltage	Verify power supply voltage is correct for sprayer model.
	High ambient temperature	Move sprayer to cooler area.
	Excessive current draw	Return to authorized service center.
TurboControl LED Indicator blinks (ProContractor and ProComp models only)	Dirty air filters	Clean turbine and motor air filters. Replace as necessary. See Cleaning Filters , page 24.
Sprayer shutoff while spraying	Circuit breaker	See "Circuit breaker trips" section above.
	Dirty air filters (Blinking TurboControl LED Indicator - ProContractor and ProComp models only)	Clean turbine and motor air filters. Replace as necessary. See Cleaning Filters , page 24.
	AutoStart active (ProContractor and ProComp models only)	Release gun trigger and re-trigger gun. Turn switch to ON position if AutoStart is not desired.
Sprayer does not automatically shut-off while in AutoStart setting (ProContractor and ProComp models only)	Leaking air hose connections	Verify air hose and attached components are those shipped with the sprayer.
		Disconnect air hoses. Verify o-ring is present inside connection fitting at turbine end of hose. If using a whip hose, verify gasket is present inside connection fitting. Securely connect all hose connections.
		Replace with manufacturer approved HVLP accessories, if necessary.
	Gun leaking air	Verify use of Edge II Plus gun. If AutoStart functions when air valve at end of hose is closed, clean gun. See Cleaning HVLP Edge II Gun , page 29. See separate HVLP Edge II Gun manual.

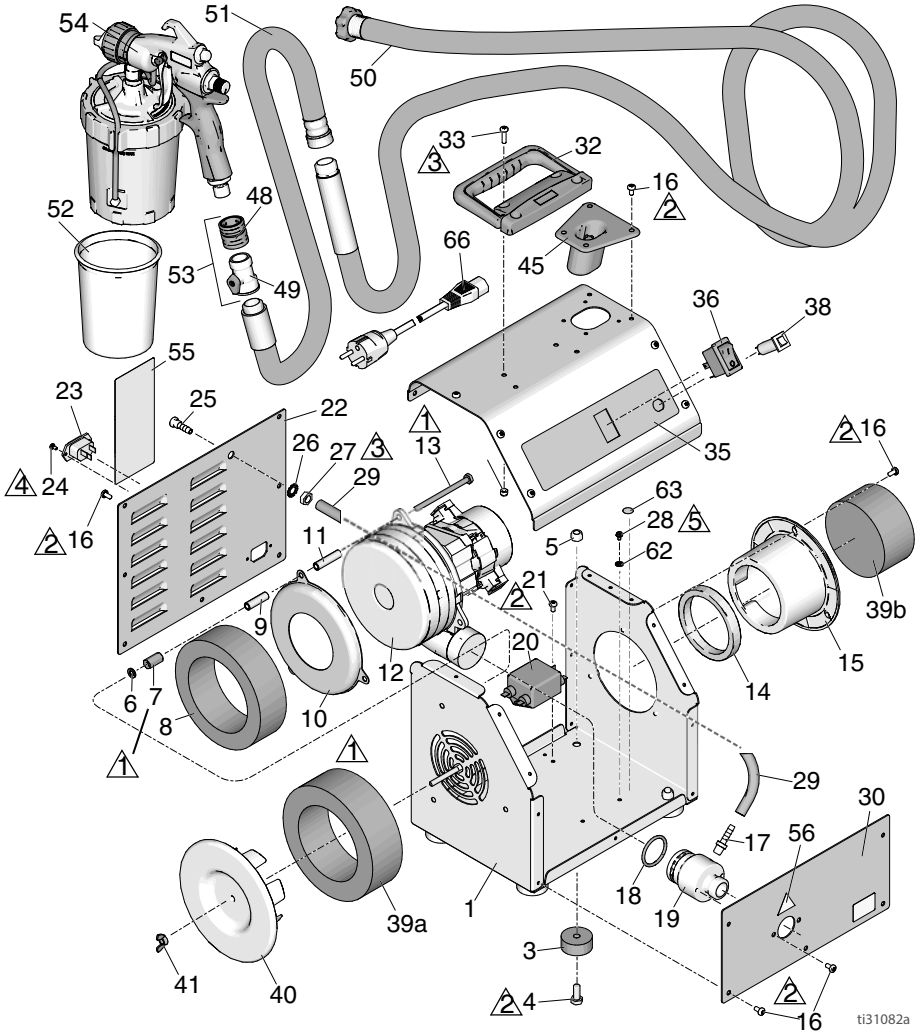
Problem	Cause	What to Do
FlexLiner System:		
FlexLiner does not collapse or collapses slowly	Dirty sealing surfaces	Remove ring, clean sealing surfaces, securely install ring. See Fill FlexLiner System , page 14.
	Incorrect or no air cap installed on gun	Verify Edge II air cap is installed.
	Air cap is loose	Edge II: Verify retaining ring is fully installed.
		Edge II Plus: Verify retaining ring is installed to a position that does not result in a loose air cap.
	Artisan Valve (if installed) is set too low for desired application	Rotate valve clockwise to increase air flow, until the desired flow is achieved.
	Gun tubing	Verify gun tubing is properly connected between the cup and gun.
		Verify gun tubing is not kinked.
Air leaking from cup	Damaged tubing. Remove damaged section of tubing. Replace tubing as necessary. See separate HVLP Edge II gun manual.	
	Damaged connection between cup and air fitting. Verify fitting is fully installed. If necessary, replace FlexLiner System. See separate HVLP Edge II gun manual.	
Fluid leaking between cup and ring	Cup filled too full	Verify cup is not filled above "MAX FILL" line.
	Dirty sealing surfaces	Remove ring, clean sealing surfaces, securely install ring. See Fill FlexLiner System , page 14.
Fluid leaking between cup and gun	Loose cup connection	Tighten connection. Use wrench as needed.
	Damaged o-ring on cup connection	Replace o-ring. Apply grease to o-ring to aid in assembly.
Fluid present at bottom of cup	FlexLiner not installed	Install FlexLiner.
	Damaged FlexLiner	Replace FlexLiner.
Pulsing spray pattern	Air not fully evacuated from FlexLiner System.	See step 3 of Startup , page 14.

Parts

Parts

Model 17P540

Ref.	Torque
 1	110-115 in-lb (12.5 - 13.0 N•m)
 2	20-25 in-lb (2.5 - 3.0 N•m)
 3	15-20 in-lb (1.7 - 2.3 N•m)
 4	10-15 in-lb (1.1 - 1.7 N•m)
 5	35-40 in-lb (4.0 - 4.5 N•m)



ti31082a

Parts List - Model 17P540

Ref. Part	Description	Qty	Ref. Part	Description	Qty
1	17R054 BOX, bottom, painted	1	31	17R477 COVER, top	1
2	129531 SCREW, cap hex hd	1	32	17N390 HANDLE, carry, pivot	1
3	113817 BUMPER	4	33	17R608 SCREW, mach, torx pan hd	4
4	100057 SCREW, cap, hex hd	4	34	116969 NUT, lock	4
5	111040 NUT, lock, insert, nylock, 5/16	4	35	17S344 LABEL, standard series	1
6	125135 WASHER, flat	3	36	120660 SWITCH, rocker	1
7	129443 NUT, coupler	3	37	17P447 HOLDER, gun	1
8	15W153 GASKET, turbine	1	38	16A348 CIRCUIT, breaker	1
9	17N374 SPACER, back, turbine	3	39	17R296 KIT, filter (includes 39a, 39b)	1
10	194094 PLATE, turbine	1	40	17N387 COVER, filter, turbine	1
11	17N373 SPACER, front, turbine	3	41	100011 NUT, wing	1
12	17R939 KIT, repair, turbine (includes 6, 7, 8, 9, 10, 11, 13, 14, 18)	1	47	128206 CORD, power	1
13	101530 SCREW, cap	3	48	M70402 FITTING, female	1
14	192845 GASKET, duct	1	49	17P749 VALVE, air control	1
15	17N388 HOUSING, filter, inlet, motor	1	50	17R300 KIT, accessory, hose, air	1
16	129444 SCREW, machine, torx pan head	28	51	17R299 KIT, accessory, hose, whip	1
17	15Y606 FITTING, barbed	1	52	FLEXLINER	1
18	17M388 PACKING, o-ring	1	17A226	3 pack	
19	17N436 FITTING, outlet	1	17P212	25 pack	
20	116168 FILTER, emi	1	53	17R301 VALVE, air control (includes 48 & 49)	1
22	17R055 COVER, back, painted	1	54	17R236 GUN, HVLP, Edge II (includes 52)	1
23	114064 PLUG, inlet	1	55▲	17R297 LABEL, warning	1
24	15W998 SCREW, mach, torix	2	56▲	15K616 LABEL, caution	1
25	17N459 FITTING, barbed, exhaust	1	62	102063 WASHER, lock, ext	1
26	100639 WASHER, lock	1	63▲	186620 LABEL, symbol, ground	1
27	101448 NUT, jam	1	69▲	17R747 LABEL, set, international (not shown)	1
28	111593 SCREW, grounding	1			
29	17N871 HOSE, air	1			
30	17R056 COVER, front, painted	1			

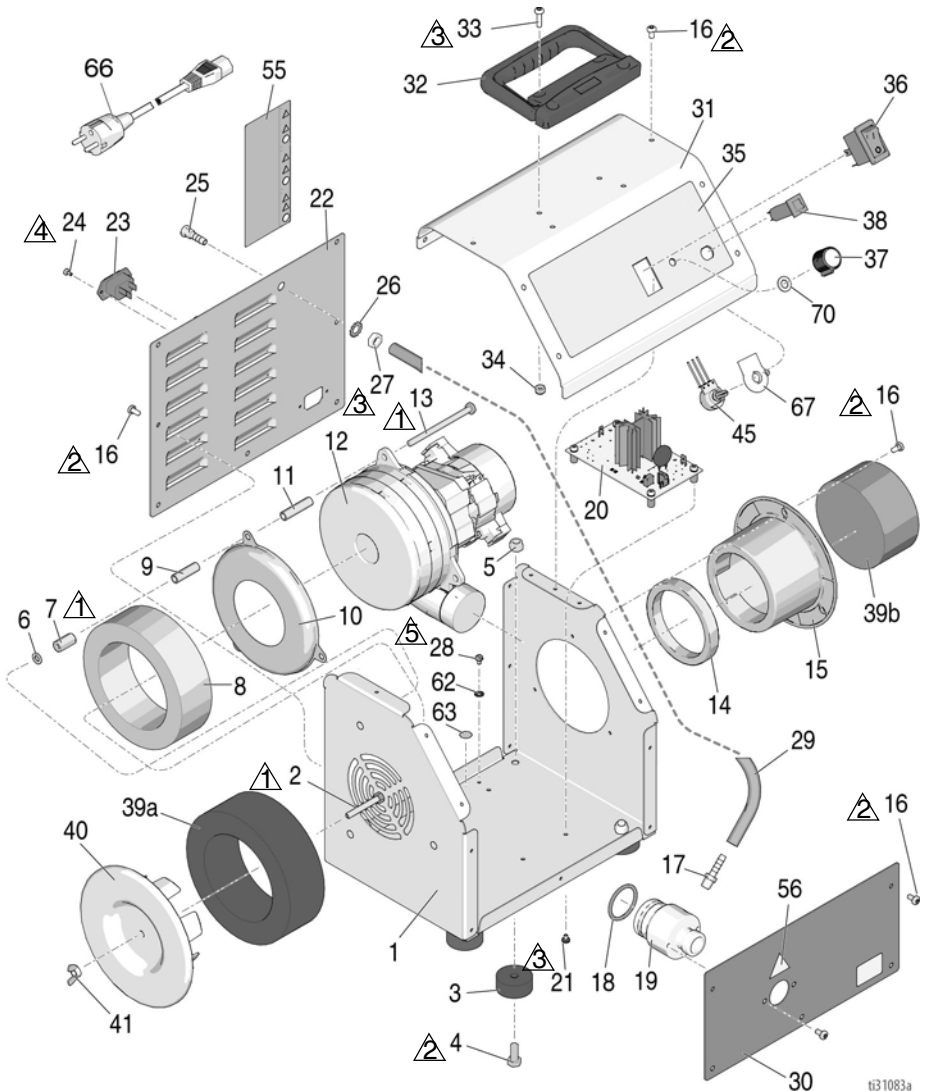
▲ Replacement Danger and Warning labels, tags, and cards are available at no cost.

Parts - Standard Models

Parts - Standard Models

Model 17P545, 17T981

Ref.	Torque
①	110-115 in-lb (12.5 - 13.0 N•m)
②	20-25 in-lb (2.5 - 3.0 N•m)
③	15-20 in-lb (1.7 - 2.3 N•m)
④	10-15 in-lb (1.1 - 1.7 N•m)
⑤	35-40 in-lb (4.0 - 4.5 N•m)



t131083a

Parts List - Model 17P545, 17T981

Parts List - Model 17P545, 17T981

Ref. Part	Description	Qty	Ref. Part	Description	Qty
1	17R952 BOX, bottom, painted	1	27	101448 NUT, jam	1
2	129531 SCREW, cap hex hd	1	28	111593 SCREW, grounding	1
3	113817 BUMPER	4	29	17N871 HOSE, air	1
4	100057 SCREW, cap, hex hd	4	30	17R954 COVER, front, painted	1
5	111040 NUT, lock, insert, nylock, 5/16	4	31	17N441 COVER, top	1
6	125135 WASHER, flat	3	32	17N390 HANDLE, carry, pivot	1
7	129443 NUT, coupler	3	33	17R608 SCREW, mach, torx pan hd	4
8	15W153 GASKET, turbine	1	34	116969 NUT, lock	4
9	17N374 SPACER, back, turbine	3	35	17S183 LABEL, standard series	1
10	194094 PLATE, turbine	1	36	120660 SWITCH, rocker	1
11	17N373 SPACER, front, turbine	3	37	17N957 KNOB, potentiometer	1
12	17R939 KIT, repair, turbine (includes 6, 7, 8, 9, 10, 11, 13, 14, 18)	1	38	16A348 CIRCUIT, breaker	1
13	101530 SCREW, cap	3	39	17R296 KIT, filter (includes 39a, 39b)	1
14	192845 GASKET, duct	1	40	17N387 COVER, filter, turbine	1
15	17N388 HOUSING, filter, inlet, motor	1	41	100011 NUT, wing	1
16	129444 SCREW, machine, torx pan head	23	45	17R946 KIT, repair, potentiometer (includes 37, 67)	1
17	15Y606 FITTING, barbed	1	55▲	17R297 LABEL, warning	1
18	17M388 PACKING, o-ring	1	56▲	15K616 LABEL, caution	1
19	17N436 FITTING, outlet	1	62	102063 WASHER, lock, ext	1
20	17R943 KIT, repair, control, board (includes 21)	1	63▲	186620 LABEL, symbol, ground	1
21	108860 SCREW, machine	4	66	128206 CORD, power	1
22	17R953 COVER, back, painted	1	67	17X783 ISOLATOR	1
23	114064 PLUG, inlet	1	69▲	17R747 LABEL, set, international (not shown)	1
24	15W998 SCREW, mach, torix	2	70	17X785 WASHER, nylon	1
25	17N459 FITTING, barbed, exhaust	1			
26	100639 WASHER, lock	1			

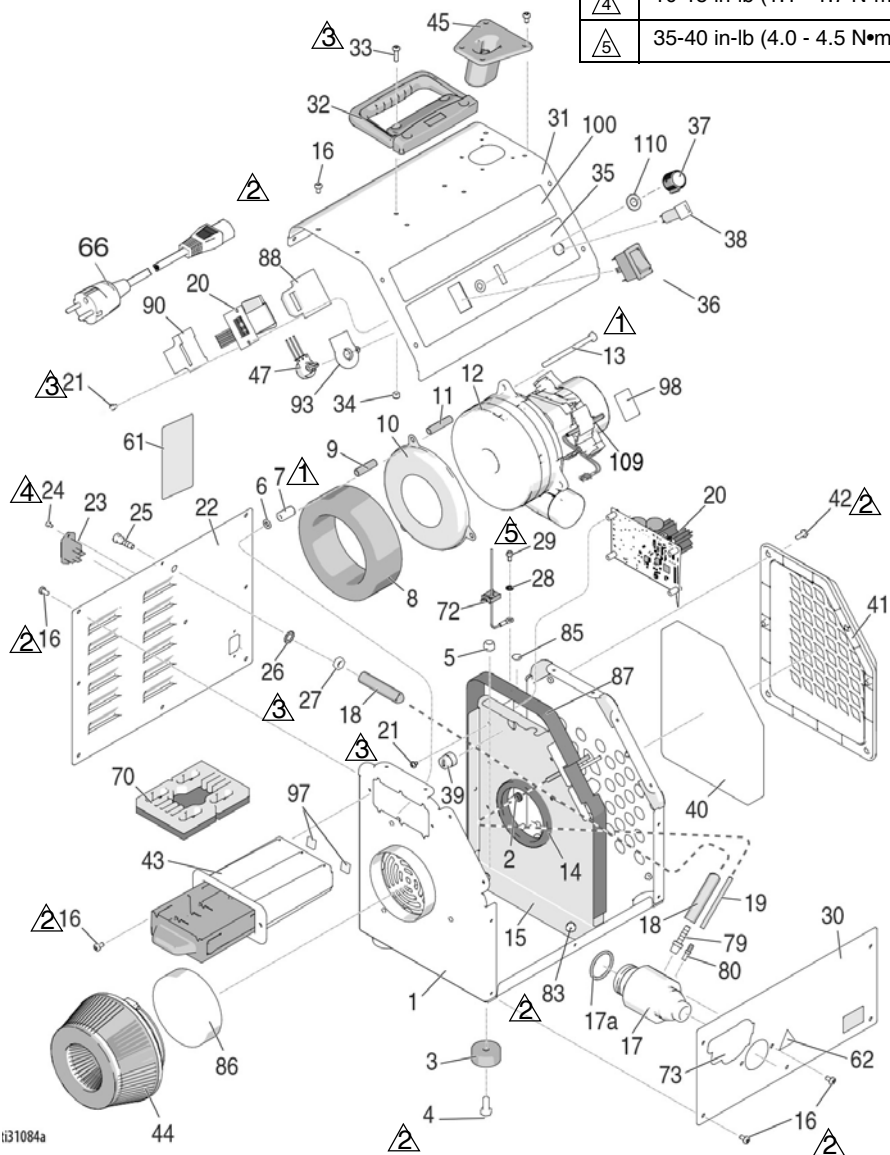
▲ Replacement Danger and Warning labels,
tags, and cards are available at no cost.

Parts - ProContractor Models

Parts - ProContractor Models

Models 17P543, 17P546

Ref.	Torque
	110-115 in-lb (12.5 - 13.0 N•m)
	20-25 in-lb (2.5 - 3.0 N•m)
	15-20 in-lb (1.7 - 2.3 N•m)
	10-15 in-lb (1.1 - 1.7 N•m)
	35-40 in-lb (4.0 - 4.5 N•m)



i31084a

Parts List - Models 17P543, 17P546

Parts List - Models 17P543, 17P546

Ref. Part	Description	Qty	Ref. Part	Description	Qty
1	17R955 BOX, bottom, painted	1	35	17S185 LABEL, ProContractor series	1
2	129604 GROMMET, rubber	1	36	129590 SWITCH, power	1
3	113817 BUMPER	4	37	17N957 KNOB, potentiometer	1
4	100057 SCREW, cap, hex hd	4	38	16A348 CIRCUIT BREAKER	1
5	111040 NUT, lock, insert, nylock, 5/16	4	39	114689 BUSHING, strain relief	1
6	125135 WASHER, flat	3	40*	17R298 FILTER, air, motor	1
7	129443 NUT, coupler	3	41	17N467 COVER, filter	1
8	15W152 GASKET, turbine	1	42	129666 SCREW, mach	4
9	17N376 SPACER, back, turbine	3	43	17N930 DRAWER, tool	1
10	194094 PLATE, turbine	1	44*	17R298 FILTER, air, turbine	1
11	17N375 SPACER, front, turbine	3	45	17P447 HOLDER, gun	1
12	17R940 KIT, repair, turbine (includes 6, 7, 8, 9, 10, 11, 13, 14, 17a)	1	47	17R948 POTENTIOMETER, assy (includes 21, 37, 88, 90, 93)	1
13	101530 SCREW, cap	3	61▲	17R297 LABEL, warning	1
14	192845 GASKET, duct	1	62▲	15K616 LABEL, caution	1
15	17N481 PANEL, wall, inner	1	66	128206 CORD, power	1
16	129444 SCREW, machine, torx pan head	28	70	17P909 INSERT, toolbox	1
17	17N425 VALVE, check	1	72	117727 CLIP, wire	1
17a	17M388 PACKING, o-ring	1	73	17J933 LABEL, AutoStart	1
18	17N871 HOSE, air	1	79	15Y606 FITTING, barbed	1
19	17R093 TUBE, air, sensor	1	80	M70394 FITTING, barbed	1
20	17R945 KIT, repair, control board (includes 21, 88, 90)	1	83	102040 NUT, lock	2
21	108860 SCREW, machine	6	85	186620 LABEL, ground	1
22	17R956 COVER, back, painted	1	86*	17R298 FILTER, air, turbine	1
23	114064 PLUG, inlet	1	87	17P656 GASKET, wall, inner	1
24	15W998 SCREW, mach, torx	2	88	17P789 GASKET, board, display	1
25	17N459 FITTING, barbed, exhaust	1	90	17R394 GASKET, barrier, ribbon	1
26	100639 WASHER, lock	1	93	17X783 ISOLATOR	1
27	101448 NUT, jam	1	97	17R769 PAD, drawer	1
28	102063 WASHER, lock	1	98	17S011 TAPE, high temp	1
29	111593 SCREW, grounding	1	99▲	17R747 LABEL, set, international (not shown)	1
30	17N477 COVER, front, painted	1	109	17R638 THERMISTOR, harness	1
31	17N479 COVER, top, painted	1	110	17X785 WASHER, nylon	1
32	17N390 HANDLE, carry, pivot	1			
33	17R608 SCREW, mach, torx pan hd	4			
34	116969 NUT, lock	4			



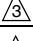




▲ Replacement Danger and Warning labels, tags, and cards are available at no cost.

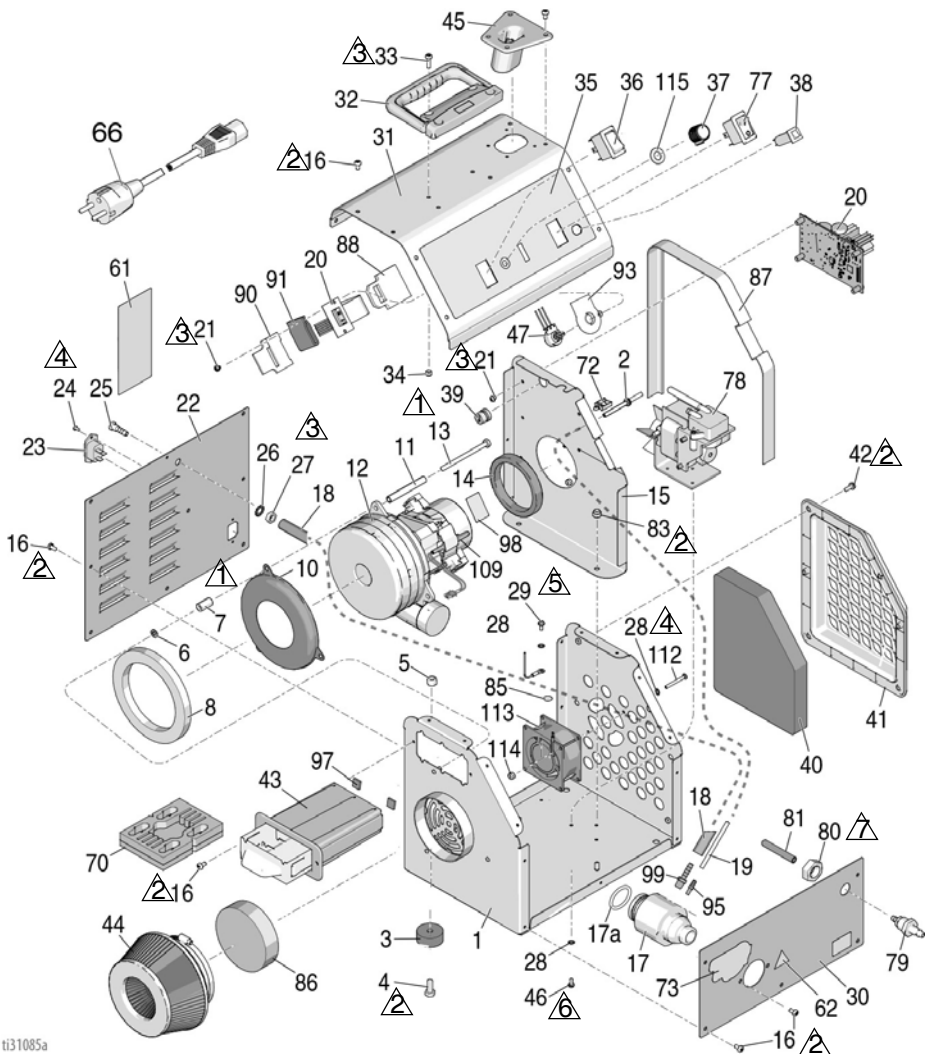
* Filter Kit 17R298 includes items 40, 44, 86

Parts

Parts

ProComp Models

Ref.	Torque
	110-115 in-lb (12.5 - 13.0 N•m)
	20-25 in-lb (2.5 - 3.0 N•m)
	15-20 in-lb (1.7 - 2.3 N•m)
	10-15 in-lb (1.1 - 1.7 N•m)
	35-40 in-lb (4.0 - 4.5 N•m)
	5-8 in-lb (0.5 - 0.9 N•m)
	20-23 ft-lb (28.0 - 31.0 N•m)



Parts List - ProComp Models

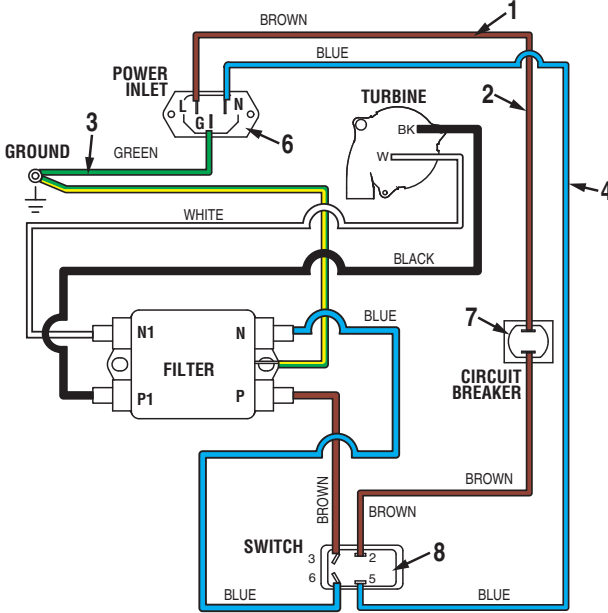
Ref. Part	Description	Qty	Ref. Part	Description	Qty
1	17R955 BOX, bottom, painted	1	42	129666 SCREW, mach	4
2	129604 GROMMET, rubber	1	43	17N930 DRAWER, tool	1
3	113817 BUMPER	4	44*	17R298 FILTER, air, turbine	1
4	100057 SCREW, cap, hex hd	4	45	17P447 HOLDER, gun	1
5	111040 NUT, lock, insert, nylock, 5/16	4	46	116431 SCREW, mach, hex wash hd	3
6	125135 WASHER, flat	3	47	17R948 POTENTIOMETER, assy (includes 21, 37, 88, 90, 91, 93)	1
7	129443 NUT, coupler	3	61▲	17R297 LABEL, warning	1
8	192788 GASKET, turbine	1	62▲	15K616 LABEL, caution	1
10	194094 GASKET, front, turbine	1	66	128206 CORD, power	1
11	17N377 SPACER, front, turbine	3	70	17P909 INSERT, toolbox	1
12	17R941 KIT, repair, turbine (includes 6, 7, 8, 9, 10, 11, 13, 14, 17a)	1	72	117727 CLIP, wire	1
13	101530 SCREW, cap	3	73	17J933 LABEL, AutoStart	1
14	192845 GASKET, duct	1	77	120660 SWITCH, rocker	1
15	17N481 PANEL, wall, inner	1	78	17R964 KIT, repair, compressor (includes 46, 81)	1
16	129444 SCREW, machine, torx pan head	28	79	15X246 FITTING, connect, quick	1
17	17N425 VALVE, check	1	80	101936 NUT, jam, hex	2
17a	17M388 PACKING, o-ring	1	81	17R735 TUBE, air	1
18	17N871 HOSE, air	1	83	102040 NUT, lock	2
19	17R093 TUBE, air, sensor	1	85	186620 LABEL, ground	1
20	17R945 CONTROL, board, assembly, (includes 21, 88, 90, 91)	1	86*	17R298 FILTER, air, turbine	1
21	108860 SCREW, machine	6	87	17P656 GASKET, wall, inner	1
22	17R956 COVER, back, painted	1	88	17P789 GASKET, board, display	1
23	114064 PLUG, inlet	1	90	17R394 GASKET, barrier, ribbon	1
24	15W998 SCREW, mach, torix	2	91	17R395 GASKET, barrier, ribbon, LED	1
25	17N459 FITTING, barbed, exhaust	1	93	17X783 ISOLATOR	1
26	100639 WASHER, lock	1	94	15Y606 FITTING, barbed	1
27	101448 NUT, jam	1	95	M70394 FITTING, barbed	1
28	102063 WASHER, lock	8	97	17R769 PAD, drawer	1
29	111593 SCREW, grounding	1	98	17S011 TAPE, high temp	1
30	17P294 COVER, front	1	99▲	17R747 LABEL, set, international (not shown)	1
31	17R444 COVER, top	1	109	17R638 THERMISTOR, harness	1
32	17N390 HANDLE, carry, pivot	1	112	120094 SCREW	2
33	17R608 SCREW, mach, torx pan hd	4	113	17S141 FAN	1
34	116969 NUT, lock	4	114	109466 NUT, lock	2
36	129590 SWITCH, power	1	115	17X785 WASHER, nylon	1
37	17N957 KNOB, potentiometer	1			
38	16A348 CIRCUIT BREAKER	1			
39	114689 BUSHING, strain relief	1			
40*	17R298 FILTER, air, motor	1			
41	17N467 COVER, filter	1			

▲ Replacement Danger and Warning labels, tags, and cards are available at no cost.

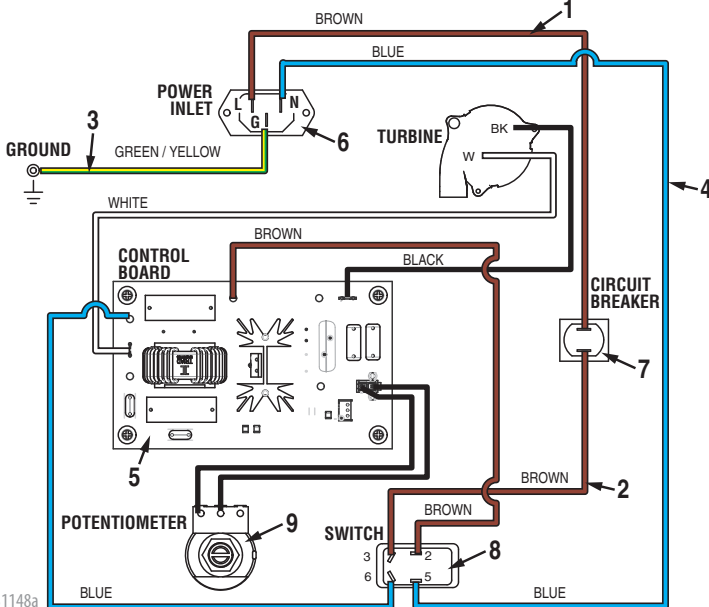
* Filter Kit 17R298 includes items 40, 44, 86

Wiring Diagrams

17P540 WIRING DIAGRAM



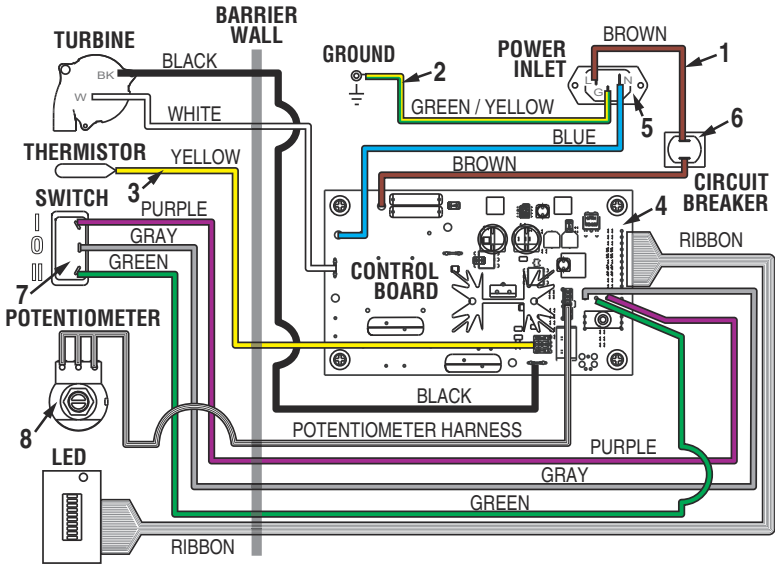
17P545, 17T981 WIRING DIAGRAM



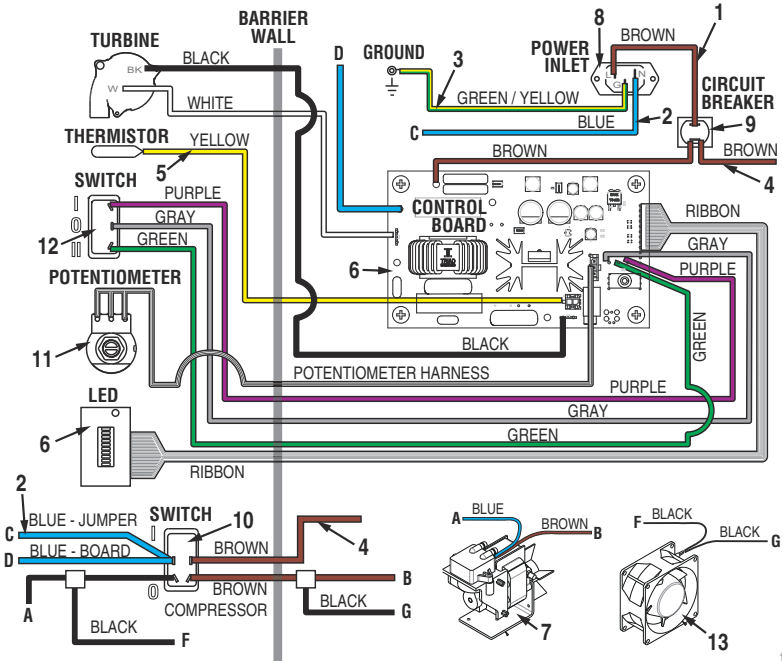
ti31148a

Wiring Diagrams

17P543, 17P546 WIRING DIAGRAM



PROCOMP WIRING DIAGRAM



ti31149a

Technical Specifications

Technical Specifications

HVLP 7.0/9.0 Standard		
	US	Metric
7.0		
Maximum Amperage	11.0	6,0
Watts	1200	
Electrical Power Requirement	120 VAC, 50/60 Hz, 15A	220-240 VAC, 50/60Hz, 10A
Maximum Hose Length	40 ft	12,2 m
Sprayer Weight	18 lb	8,2 kg
Total Weight	24 lb	10,9 kg
Noise* (dBa)		
Sound pressure	82 dBa	
Sound power	94.9 dBa	
9.0		
Maximum Amperage	12.0	6,5
Watts	1300	
Electrical Power Requirement	120 VAC, 50/60 Hz, 15A	220-240 VAC, 50/60Hz, 10A
Maximum Hose Length	60 ft	18,3 m
Sprayer Weight	19 lb	8,6 kg
Total Weight	25 lb	11,3 kg
Noise* (dBa)		
Sound pressure	83.0 dBa	
Sound power	95.9 dBa	
Materials of Construction		
Wetted materials on all models	zinc- and nickel-plated carbon steel, nylon, stainless steel, PTFE, Acetal, leather, UHMWPE, aluminum, tungsten carbide, polyethylene, fluoroelastomer, urethane	
Notes		
<i>*Sound pressure measured 3 feet (1 meter) from equipment. Sound power measured per ISO-3744.</i>		

Technical Specifications

HVLP 7.0/9.0/9.5 ProContractor		
	US	Metric
7.0		
Maximum Amperage	11.0	6,0
Watts	1200	
Electrical Power Requirement	120 VAC, 50/60 Hz, 15A	220-240 VAC, 50/60Hz, 10A
Maximum Hose Length	40 ft	12,2 m
Sprayer Weight	23 lb	10,4 kg
Total Weight	33 lb	15,0 kg
Noise* (dBa)		
Sound pressure	82 dBa	
Sound power	94.9 dBa	
9.0		
Maximum Amperage	12.0	6,5
Watts	1300	
Electrical Power Requirement	120 VAC, 50/60 Hz, 15A	220-240 VAC, 50/60Hz, 10A
Maximum Hose Length	60 ft	18,3 m
Sprayer Weight	24 lb	10,9 kg
Total Weight	34 lb	15,4 kg
Noise* (dBa)		
Sound pressure	83.0 dBa	
Sound power	95.9 dBa	
9.5		
Maximum Amperage	13.5	8,0
Watts	1600	
Electrical Power Requirement	120 VAC, 50/60 Hz, 15A	220-240 VAC, 50/60Hz, 10A
Maximum Hose Length	60 ft	18,3 m
Sprayer Weight	26 lb	11,8 kg
Total Weight	36 lb	16,3 kg
Noise* (dBa)		
Sound pressure	83.4 dBa	
Sound power	96.3 dBa	
Materials of Construction		
Wetted materials on all models	zinc- and nickel-plated carbon steel, nylon, stainless steel, PTFE, Acetal, leather, UHMWPE, aluminum, tungsten carbide, polyethylene, fluoroelastomer, urethane	
Notes		
<i>*Sound pressure measured 3 feet (1 meter) from equipment. Sound power measured per ISO-3744.</i>		

Technical Specifications

HVLP 9.5 ProComp		
	US	Metric
9.5		
Maximum Amperage	15.0	9,0
Watts	1800	
Electrical Power Requirement	120 VAC, 50/60 Hz, 15A	220-240 VAC, 50Hz, 10A
Maximum Hose Length	60 ft	18,3 m
Sprayer Weight	30 lb	13,6 kg
Total Weight	46 lb	20,9 kg
Noise* (dBa)		
Sound pressure	83.4 dBa	
Sound power	96.3 dBa	
Materials of Construction		
Wetted materials on all models	zinc- and nickel-plated carbon steel, nylon, stainless steel, PTFE, Acetal, leather, UHMWPE, aluminum, tungsten carbide, polyethylene, fluoroelastomer, urethane	
Notes		
<i>*Sound pressure measured 3 feet (1 meter) from equipment. Sound power measured per ISO-3744.</i>		

*All written and visual data contained in this document reflects the latest product information available at the time of publication.
The manufacturer reserves the right to make changes at any time without notice.*

Original instructions. This manual contains English. MM 3A5085

Copyright 2017, All manufacturing locations are registered to ISO 9001.

Revision C, August 2018